

Model: QQ 5 33 Y

Data

Type: Semi-hermetic piston tandem compressors

Producer: Frascold

Series: QQ

Model: QQ 5 33 Y

Technical data

Nominal motor power [kW/HP]:	7,5 / 10	
Cylinder count:	8	
Displacement [m ³ /h]:	65,32	
Cylinder capacity [cm ³]:	93,9	
Cylinder bore [mm]:	54	
Cylinder stroke [mm]:	41	
RPM [min ⁻¹]:	1450	
Weight net [kg]:	161	
Weight gross [kg]:	166	
Oil charge [dm ³]:	3,6	

Electrical data

Power supply [V/~/Hz]:	230V/3/50Hz Δ	400V/3/50Hz Y
Locked rotor current [A]:	98,6	56,9
Max. operating current [A]:	21,2	12,2

Connections

	<u>milimeters</u>	<u>inches</u>
Suction line:	42	1 5/8"
Discharge line:	28,6	1 1/8"

Model: QQ 5 33 Y

Capacity

R22

Cooling capacity [W]

$t_c \setminus t_e$	-5	-10	-15	-20	-25	-30	-35	-40	-45
30	45 620	37 820	31 040	25 180	20 140	15 840	12 220	9 180	6 620
40	41 440	34 240	27 980	22 580	17 920	13 960	10 600	7 800	5 460
45	39 280	32 420	26 420	21 240	16 780	12 980	9 780	7 120	4 880
50	37 100	30 540	24 820	19 880	15 620	12 020	8 960	6 420	-

Operating conditions: suction gas temperature 20°C, 0K subcooling

t_c - Condensing temperature [°C]

t_e - Evaporating temperature [°C]

Model: QQ 5 33 Y

Capacity

R134a

Cooling capacity [W]

t_c \ t_e	12.5	7.5	5	0	-5	-10	-15	-20
30	62 780	51 940	47 100	38 460	31 060	24 760	19 400	14 880
40	56 140	46 280	41 880	34 000	27 260	21 500	16 620	12 480
45	52 740	43 380	39 220	31 740	25 320	19 840	15 180	11 240
50	49 300	40 460	36 500	29 420	23 340	18 160	13 740	10 000

Operating conditions: suction gas temperature 20°C, 0K subcooling

t_c - Condensing temperature [°C]

t_e - Evaporating temperature [°C]

Model: QQ 5 33 Y

Capacity

R404A/R507

Cooling capacity [W]

$t_c \setminus t_e$	-10	-15	-20	-25	-30	-35	-40	-45
30	41 360	34 000	27 720	12 260	17 720	13 780	10 500	7 540
40	35 760	29 280	23 700	18 900	14 860	11 360	8 460	5 840
45	32 840	26 800	21 640	17 160	13 400	10 140	7 440	4 980
50	-	24 140	19 400	15 280	11 840	8 840	6 360	4 100

Operating conditions: suction gas temperature 20°C, 0K subcooling

t_c - Condensing temperature [°C]

t_e - Evaporating temperature [°C]

Model: QQ 5 33 Y
Capacity

R407C

Cooling capacity [W]

t_c \ t_e	0	-5	-10	-15	-20	-25
30	56 880	46 480	37 620	30 080	23 680	18 300
40	50 580	41 160	33 100	26 240	20 420	15 520
45	-	38 380	30 760	24 240	18 720	14 080
50	-	-	28 340	22 200	17 000	12 620

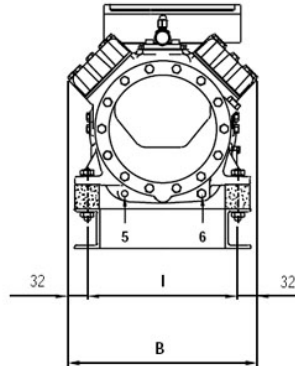
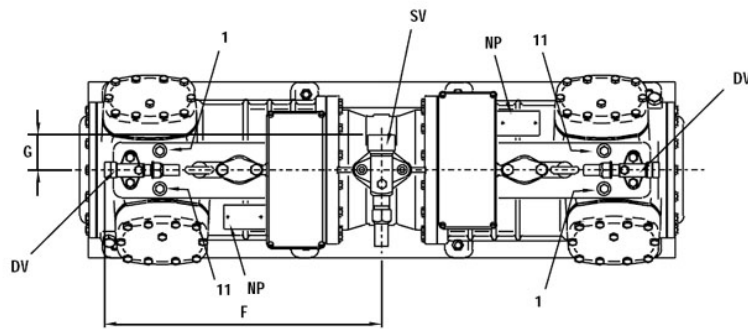
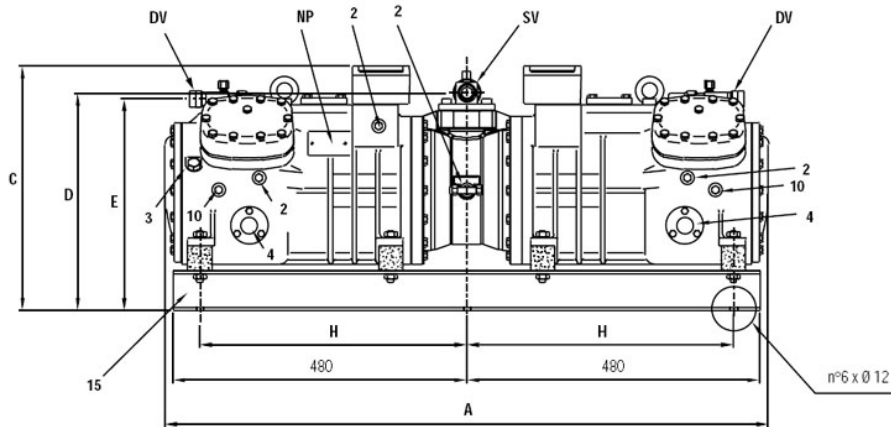
Operating conditions: suction gas temperature 20°C, 0K subcooling

t_c - Condensing temperature [°C]

t_e - Evaporating temperature [°C]

Model: QQ 5 33 Y

Dimensions



A	986 mm
B	310 mm
C	399 mm
D	355 mm
E	349 mm
F	460 mm
G	61 mm
H	436 mm
I	246 mm

Model: QQ 5 33 Y

Image

